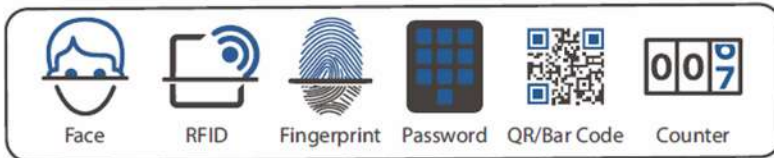


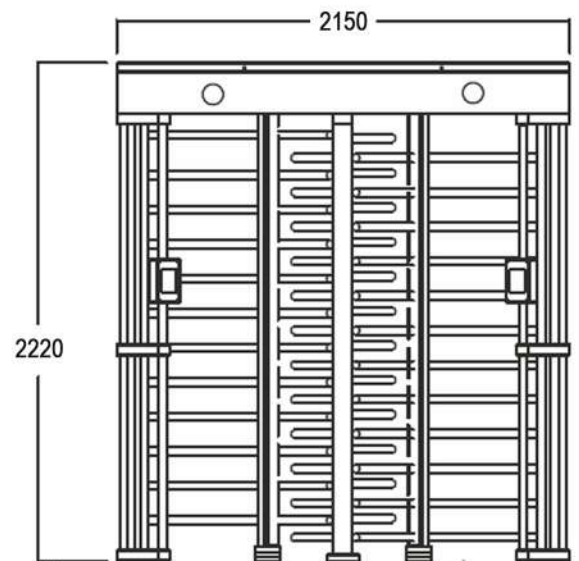
Full Height Double Lane Turnstile ENT-408D

The Full Height Turnstile are robust, highly reliable pedestrian security gate solution either for internal or external applications. The angle is 90 degree with 4 rotor arms. These vandal proof arms keep the turnstile secure even after high force of impact. It can be supplied as per the requirement. Any access control system gets easily integrate with this turnstile.

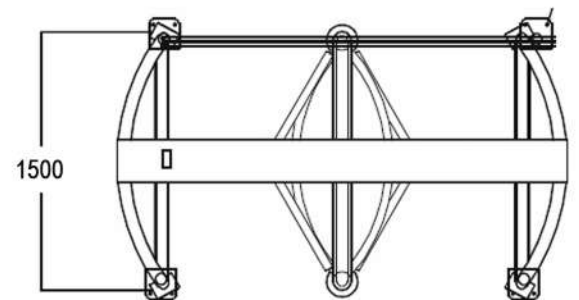
Optional Integration



Specification	Description
Framework	304/316 Stainless Steel
Finishing	Brushed
Dimension	(L)2150mm X (W)1500mm X (H)2220
Pass Width	500-700mm
Pass Rate	20 Person /min
Operation	Single/Bi-Directional
Rotor Type	4 arm x 90°
Mechanism	Electro-mechanical
Locking	25° from previous rest position
Power Voltage	AC 220V +/- 10% 50-60Hz
Power Consumption	80W per lane
Mode	Fail Safe/Fail Lock
Operating Temperature	-20°C - 55°C
Integration	Any access control system



Front View



Top View



Scan QR code to watch product video